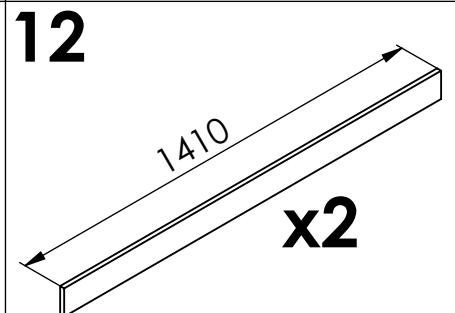
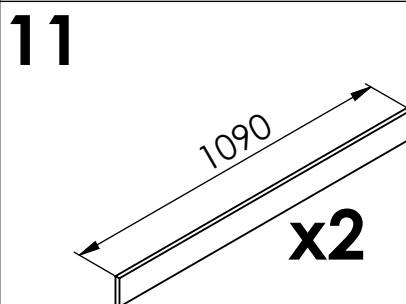
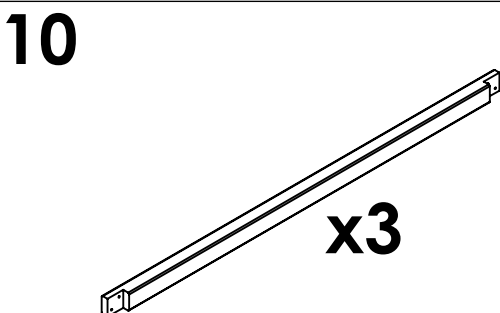
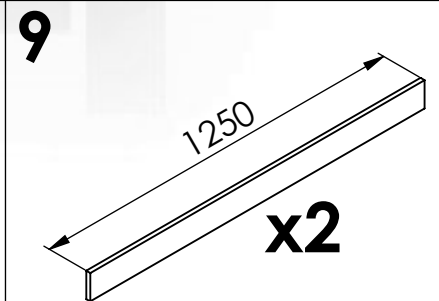
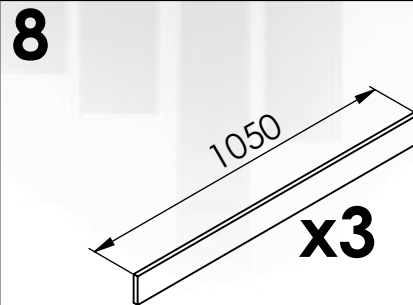
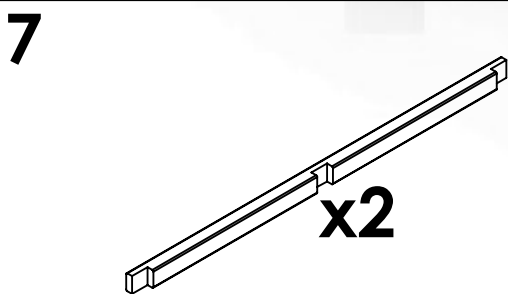
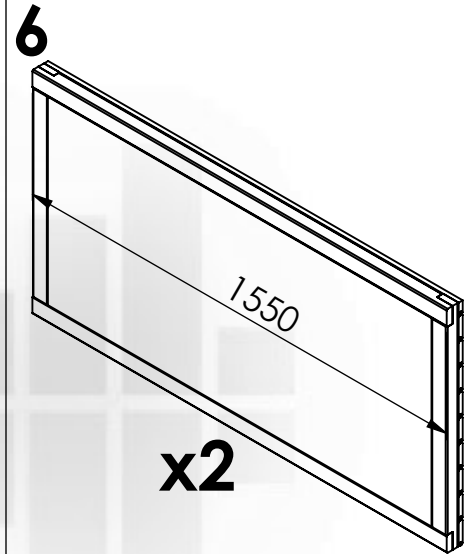
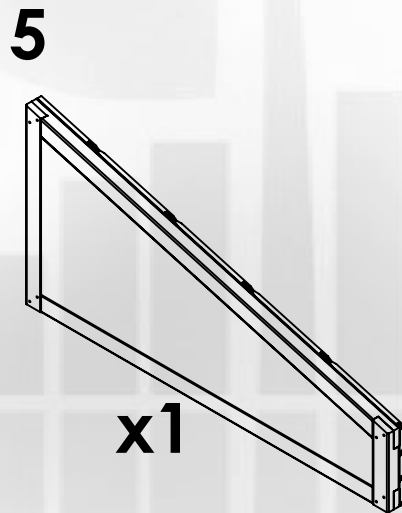
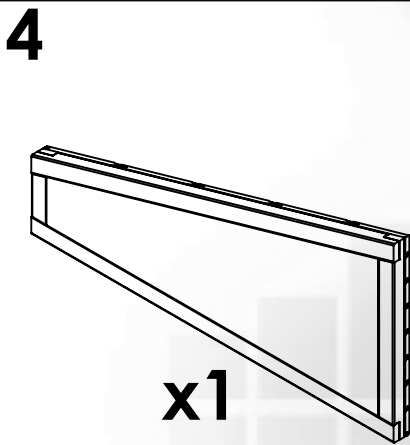
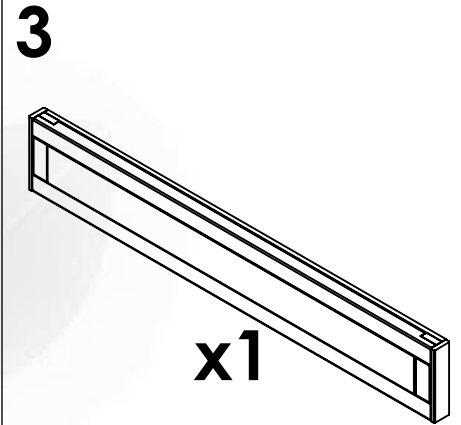
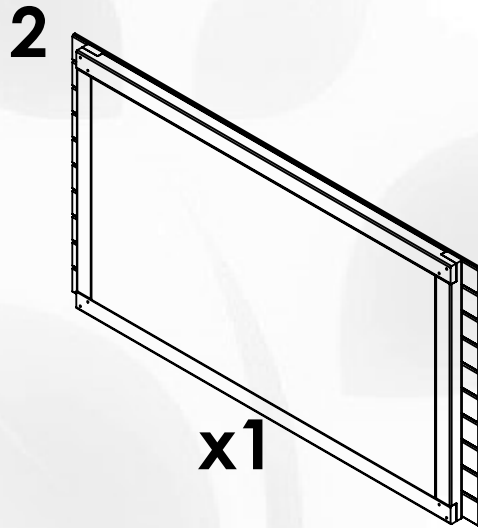
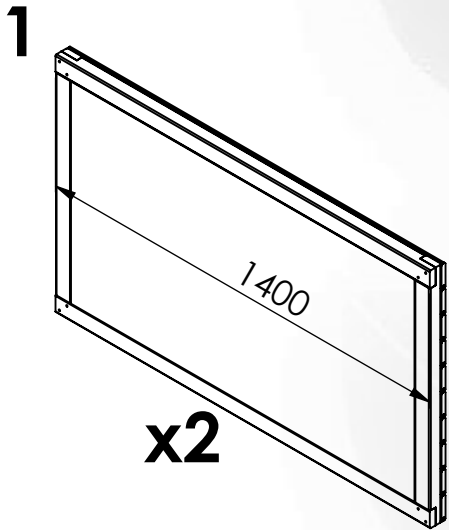
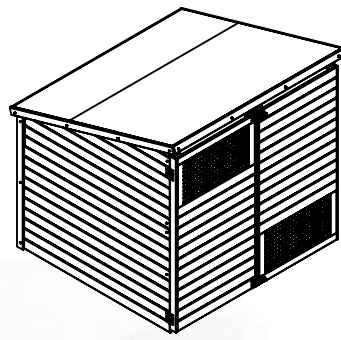
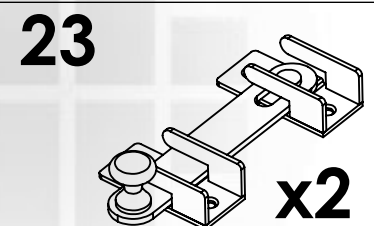
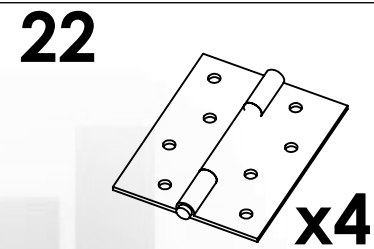
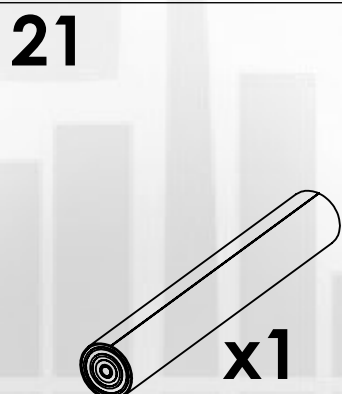
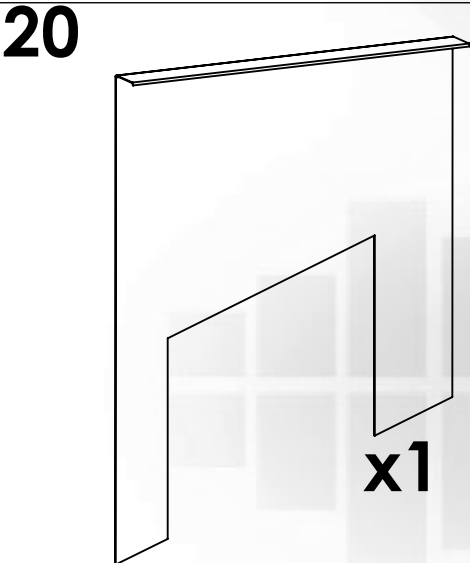
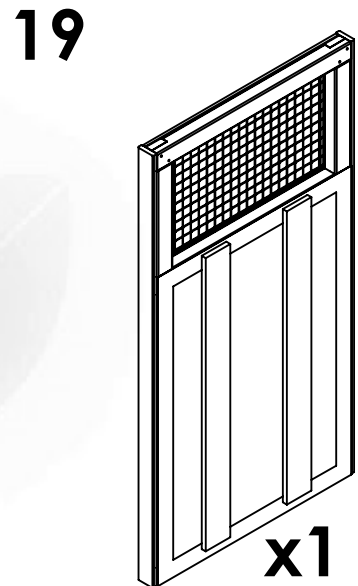
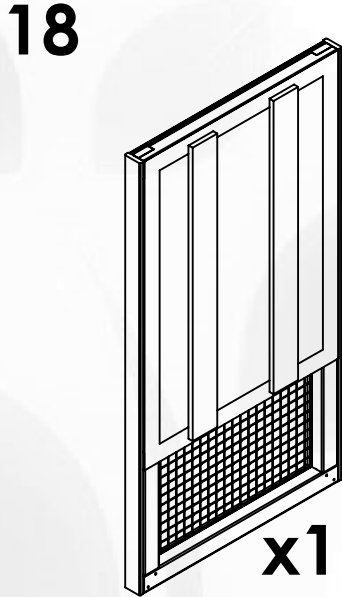
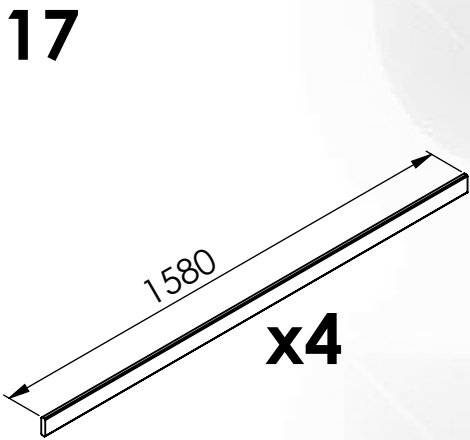
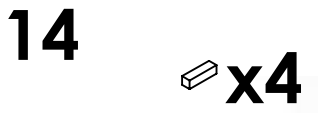
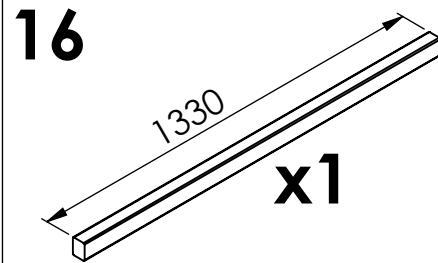
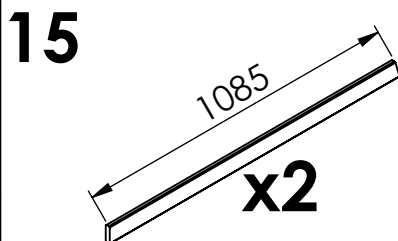
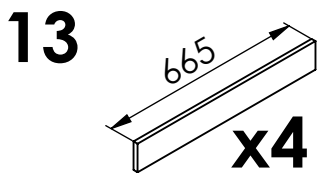
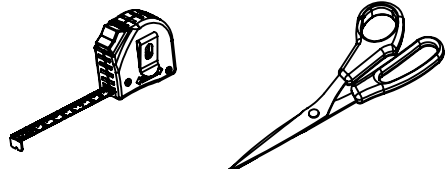
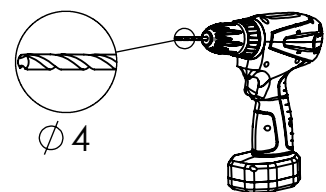
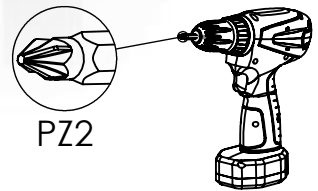


232146

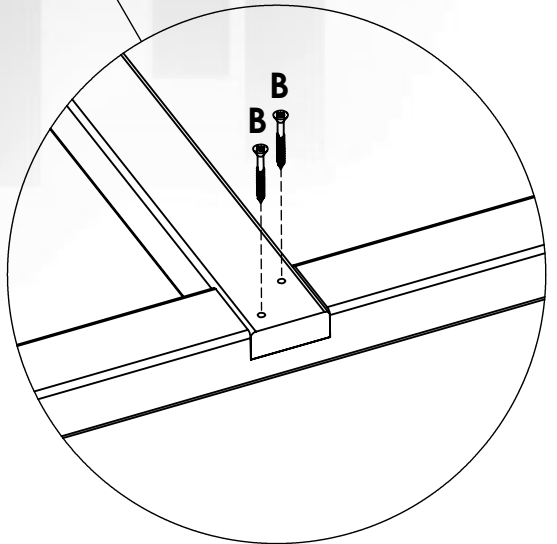
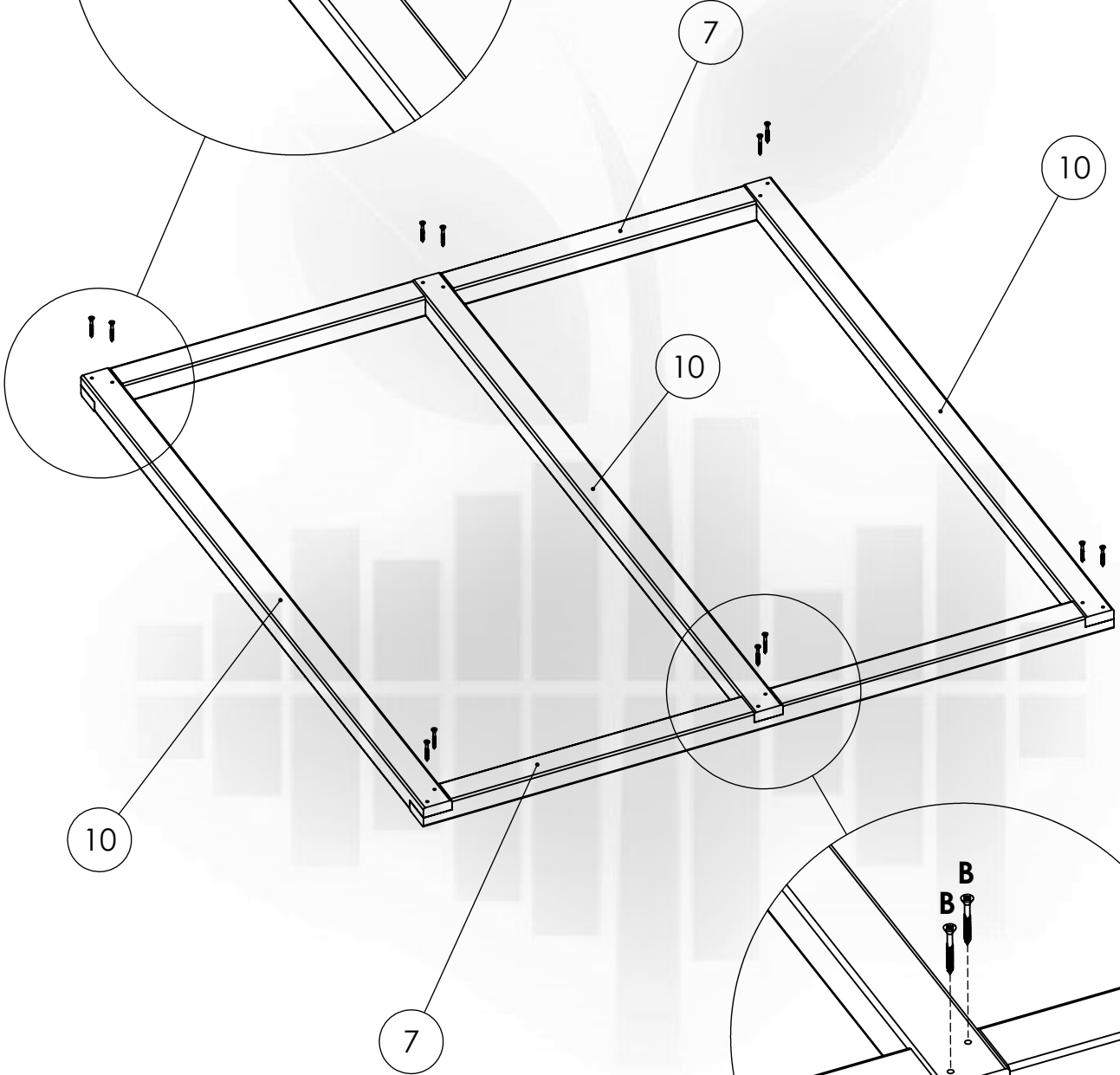
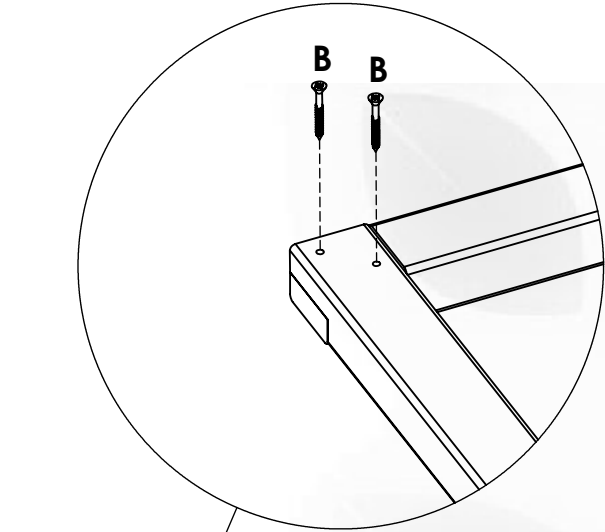
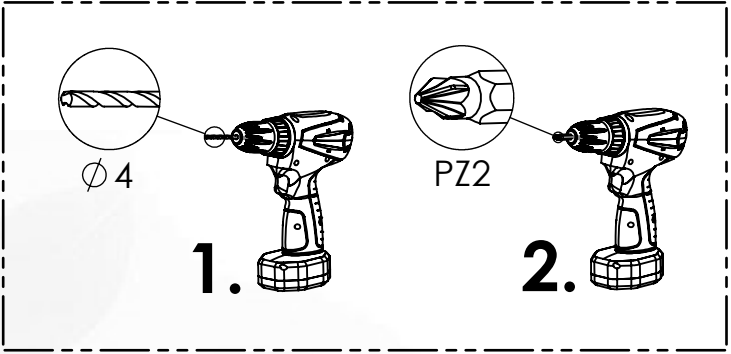





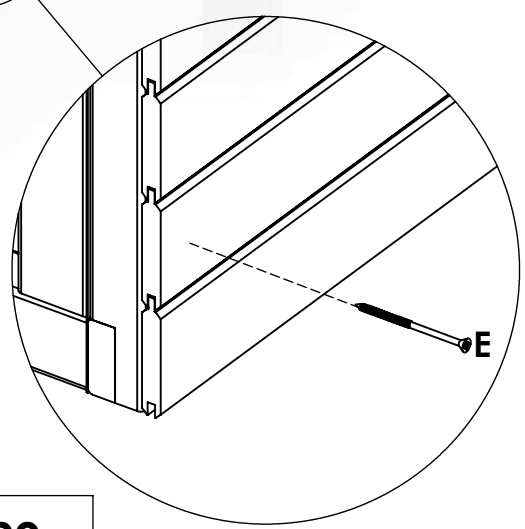
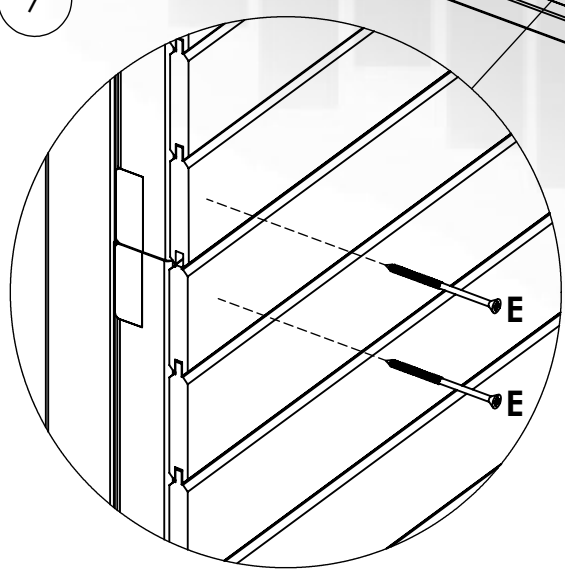
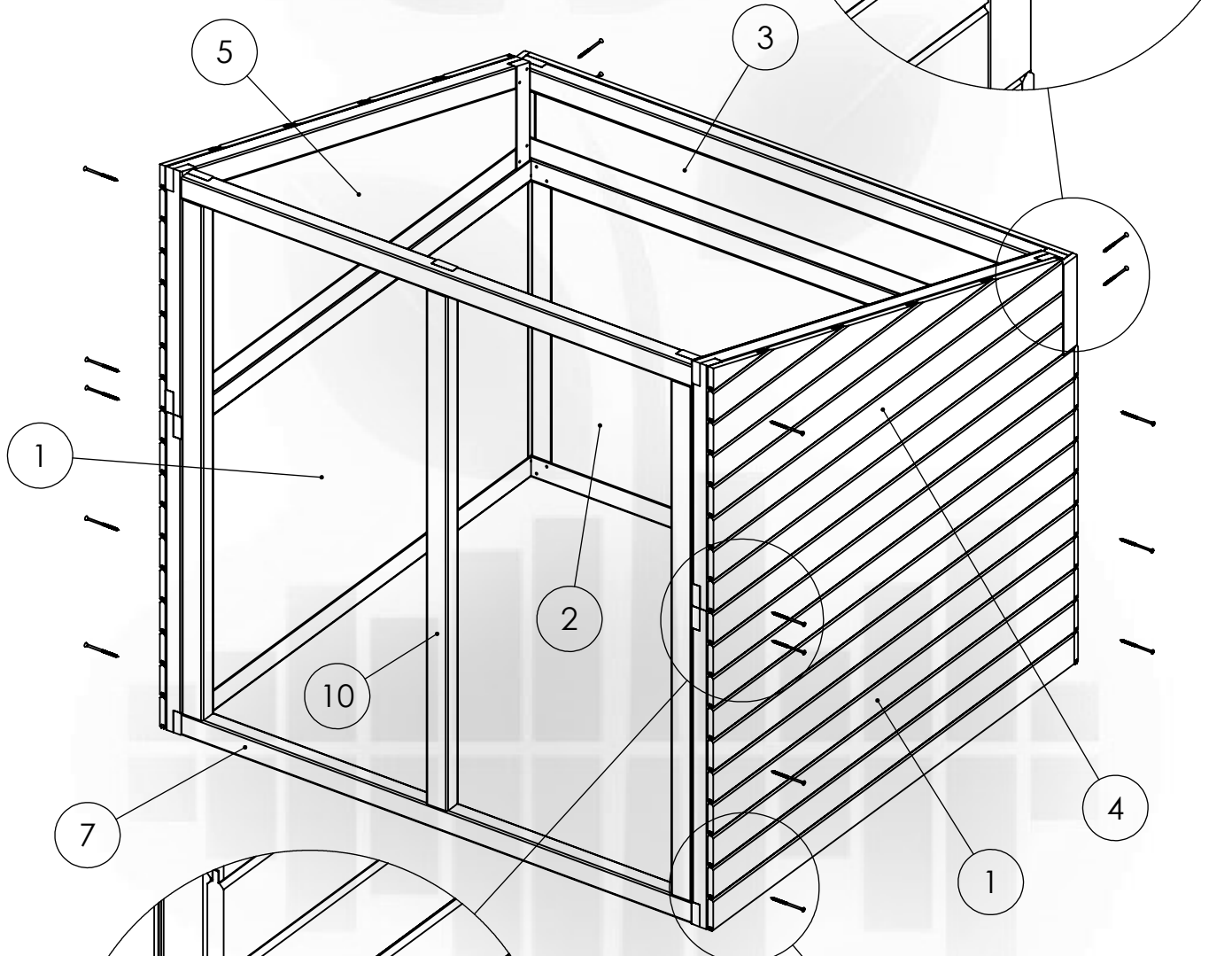
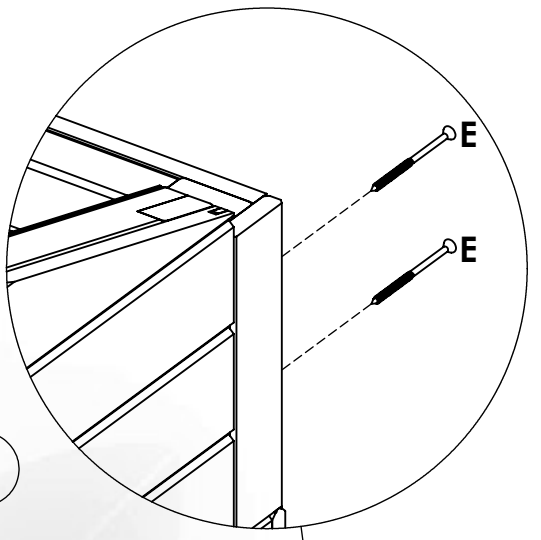
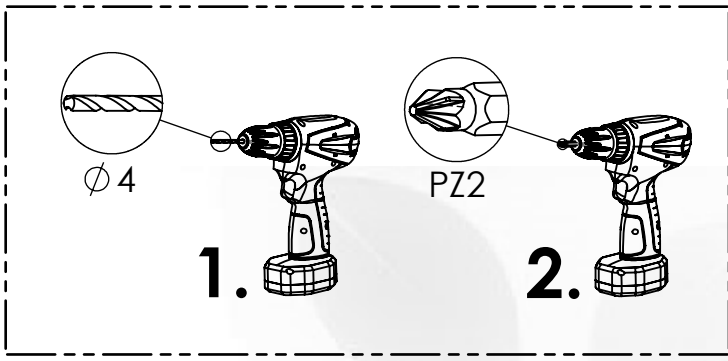
A		3.5x35	x42
B		4x40	x98
C		3.5x50	x8
D		4x70	x5
E		5x90	x28

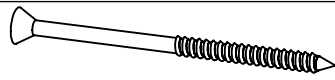


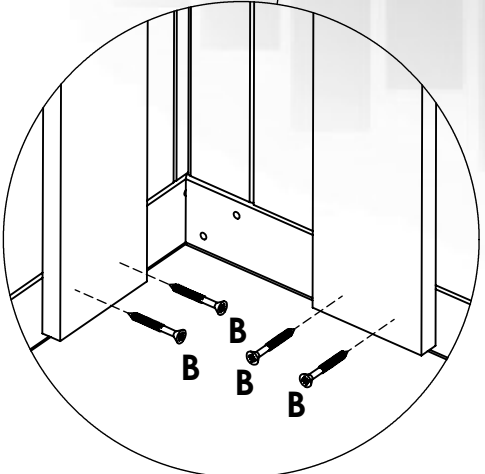
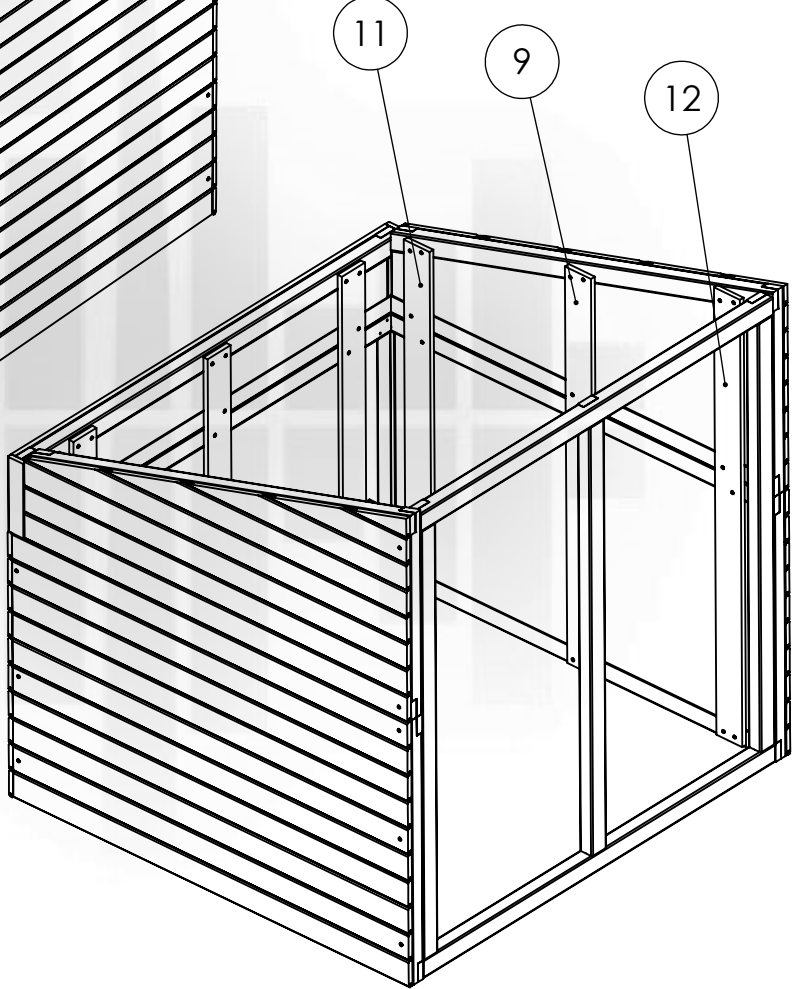
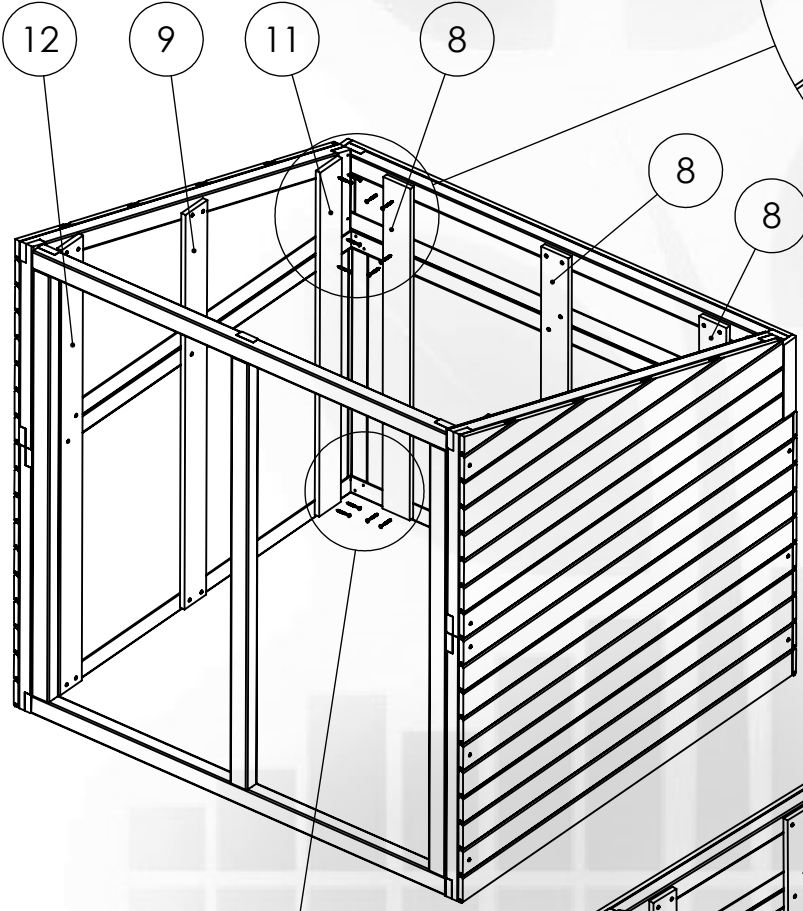
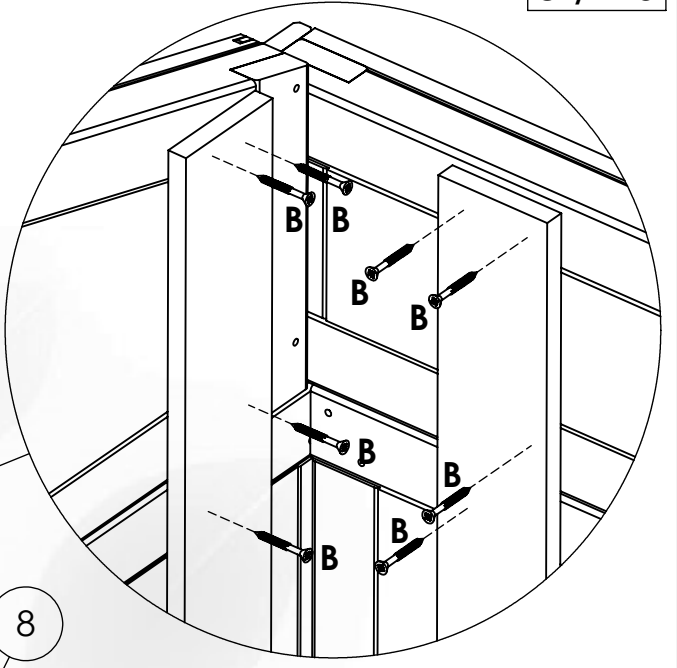
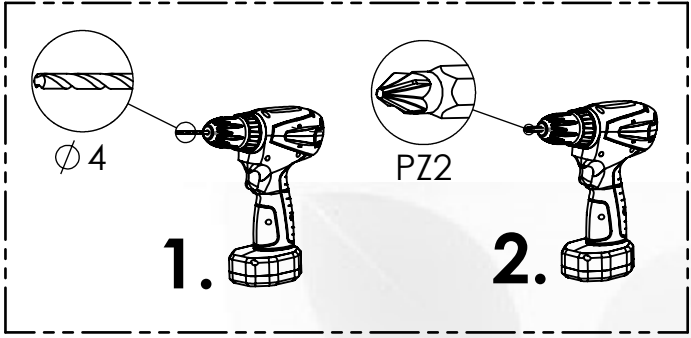
1



B		4x40	x12
----------	---	-------------	------------

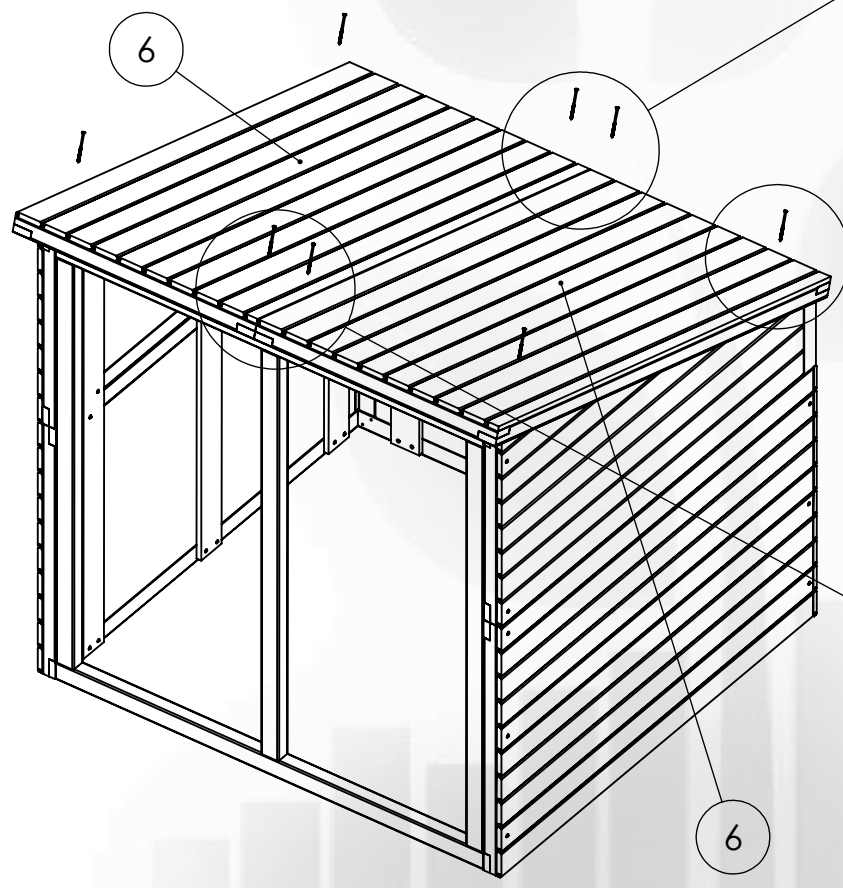
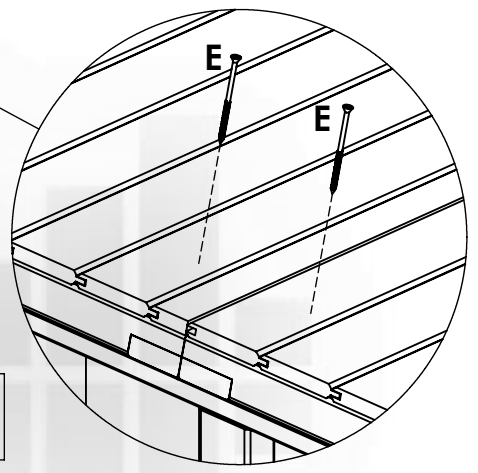
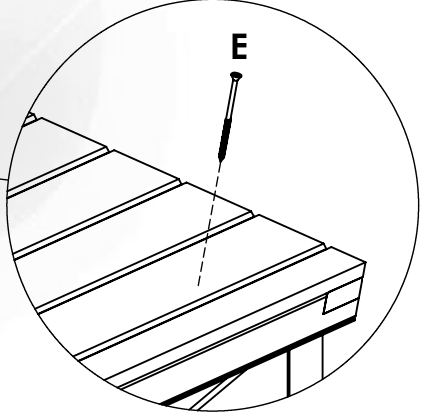
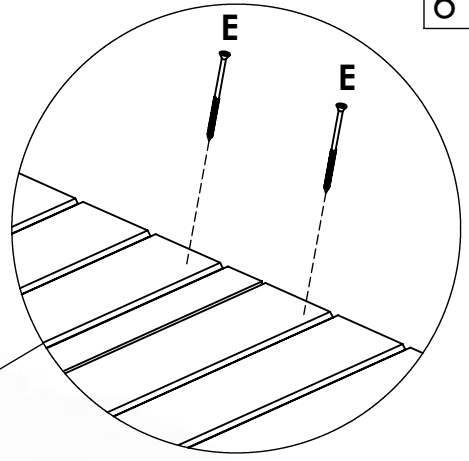
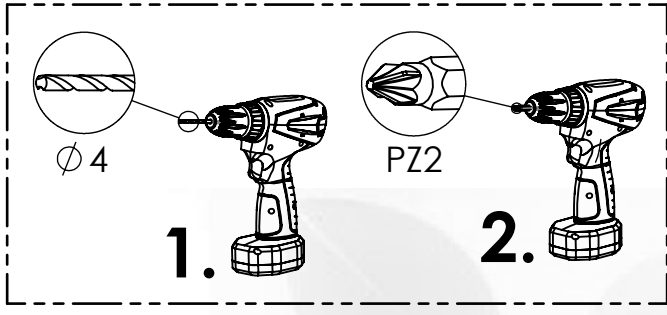


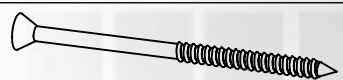
E		5x90	x20
---	---	------	-----



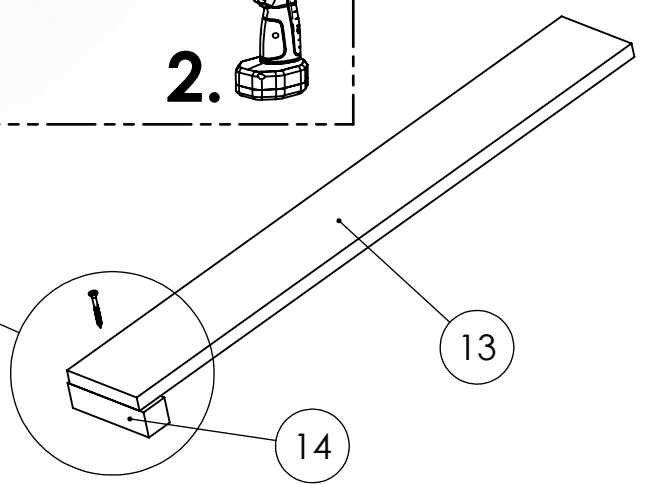
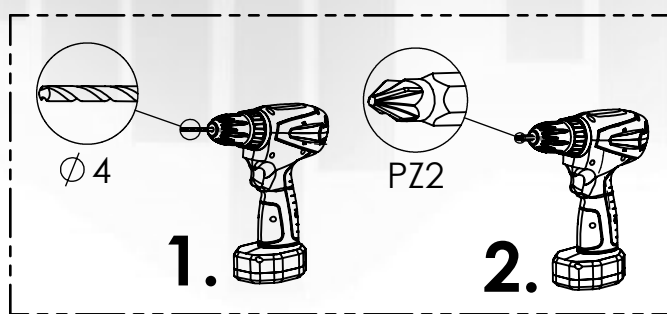
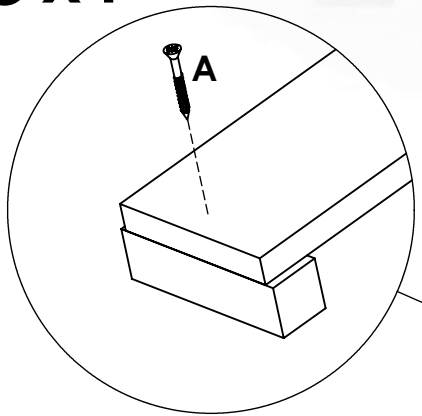
B		4x40	x54
----------	---	-------------	------------

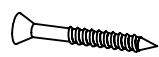
4

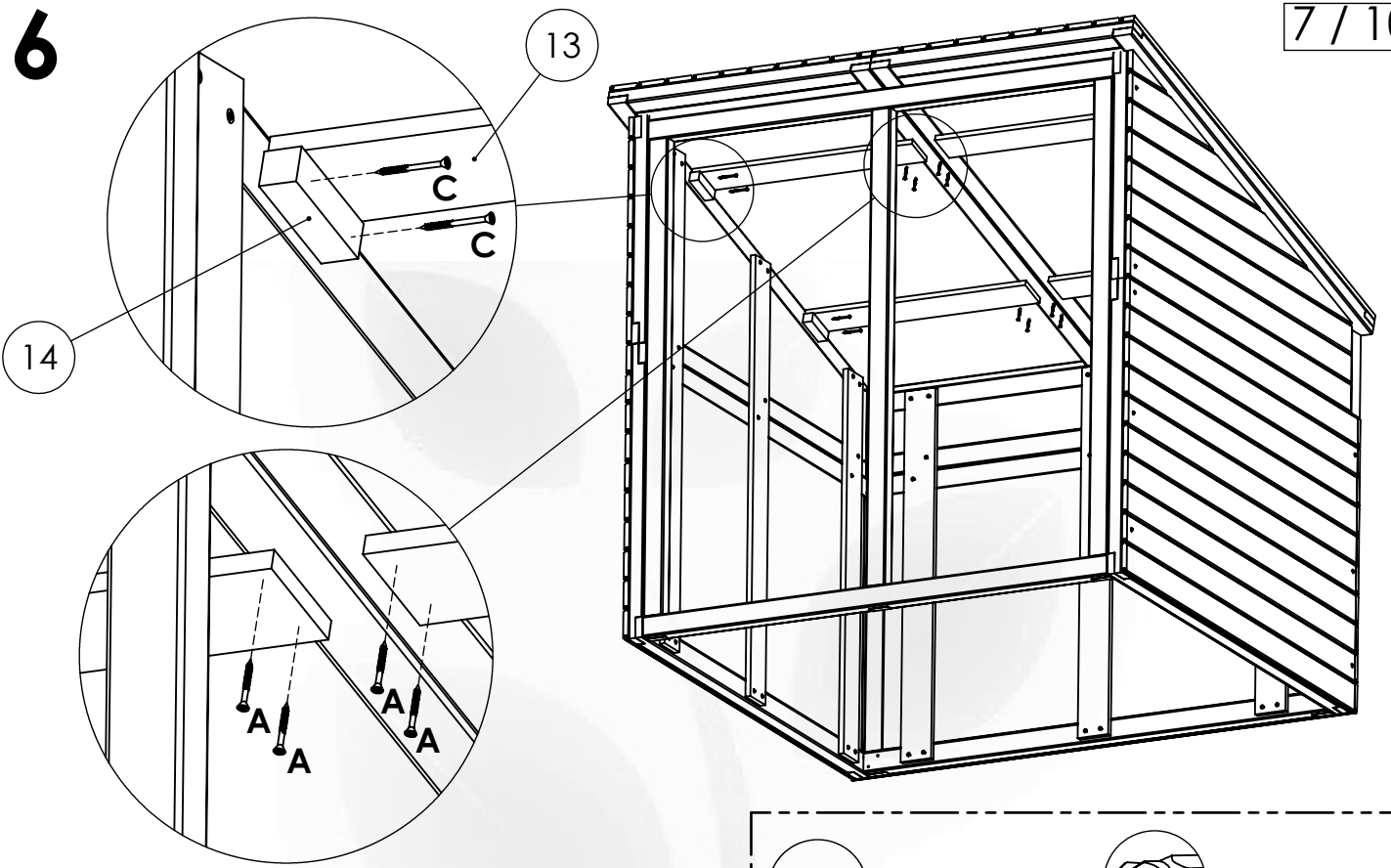



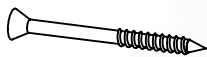
E		5x90	x8
---	---	------	----

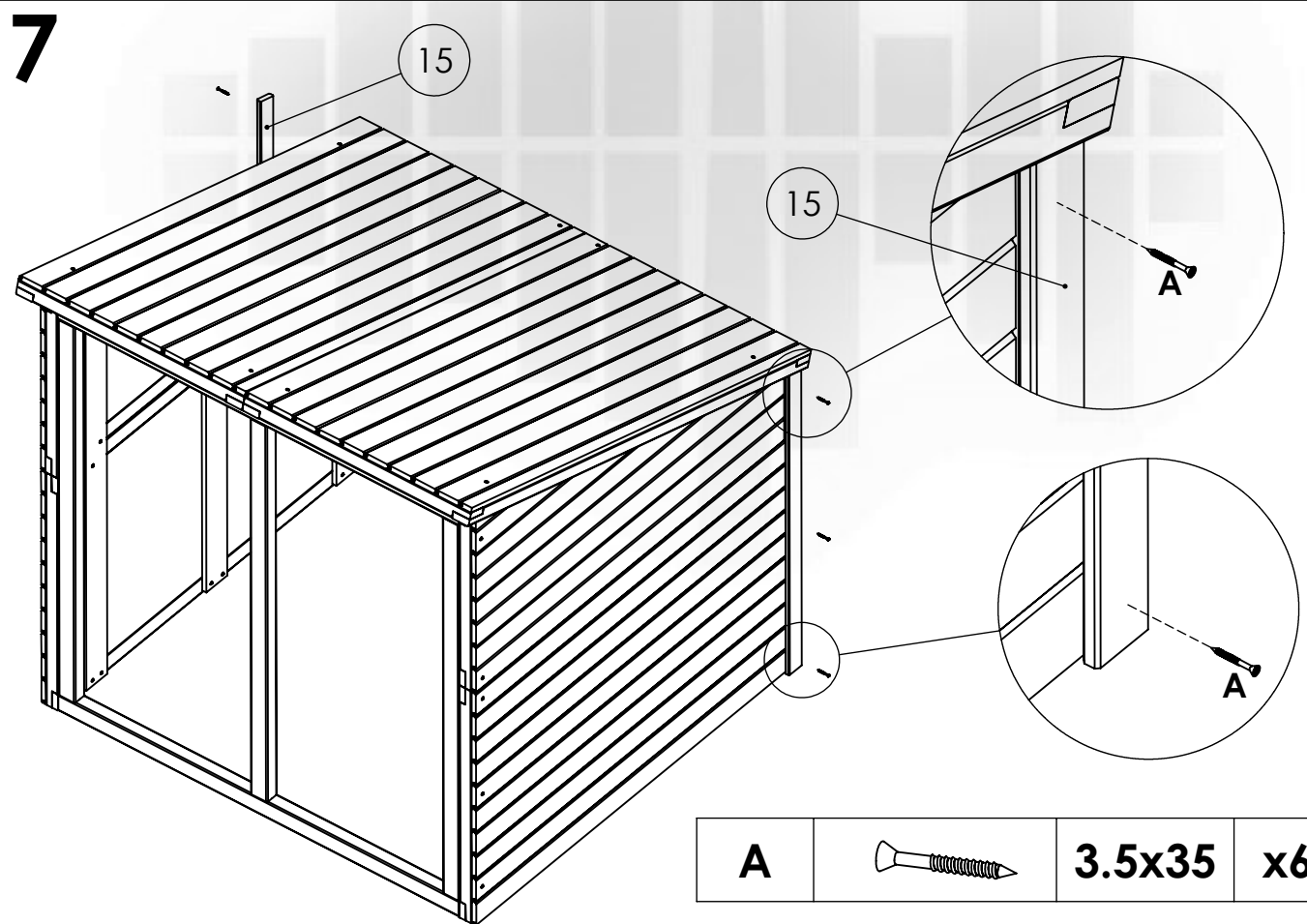
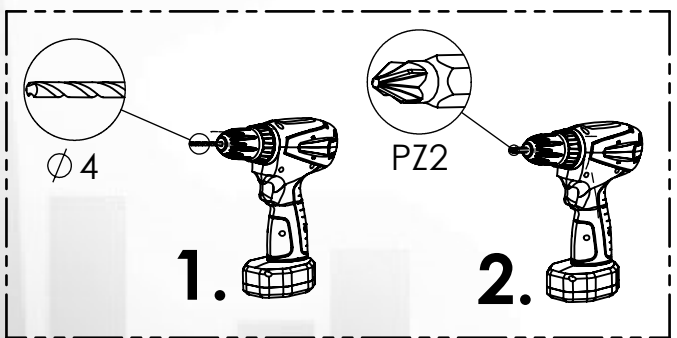
5x4




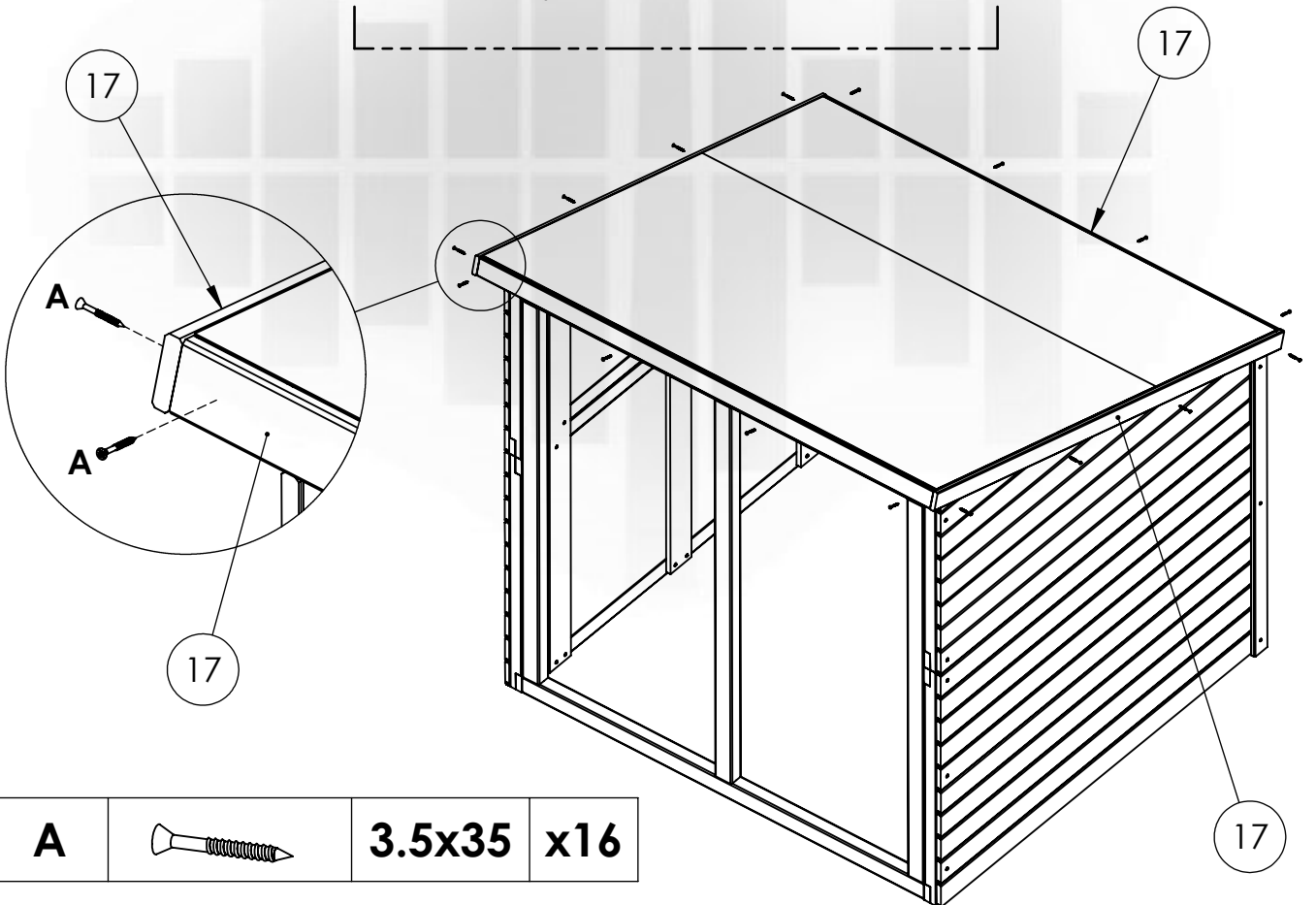
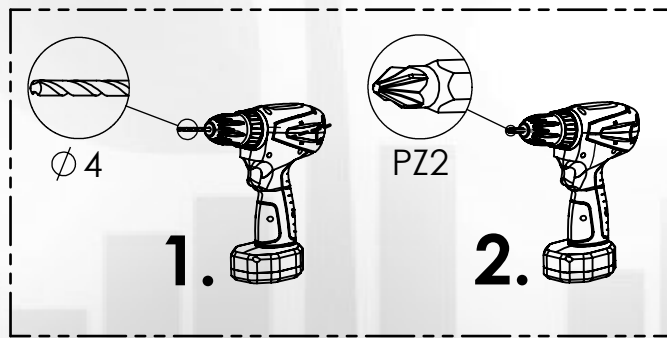
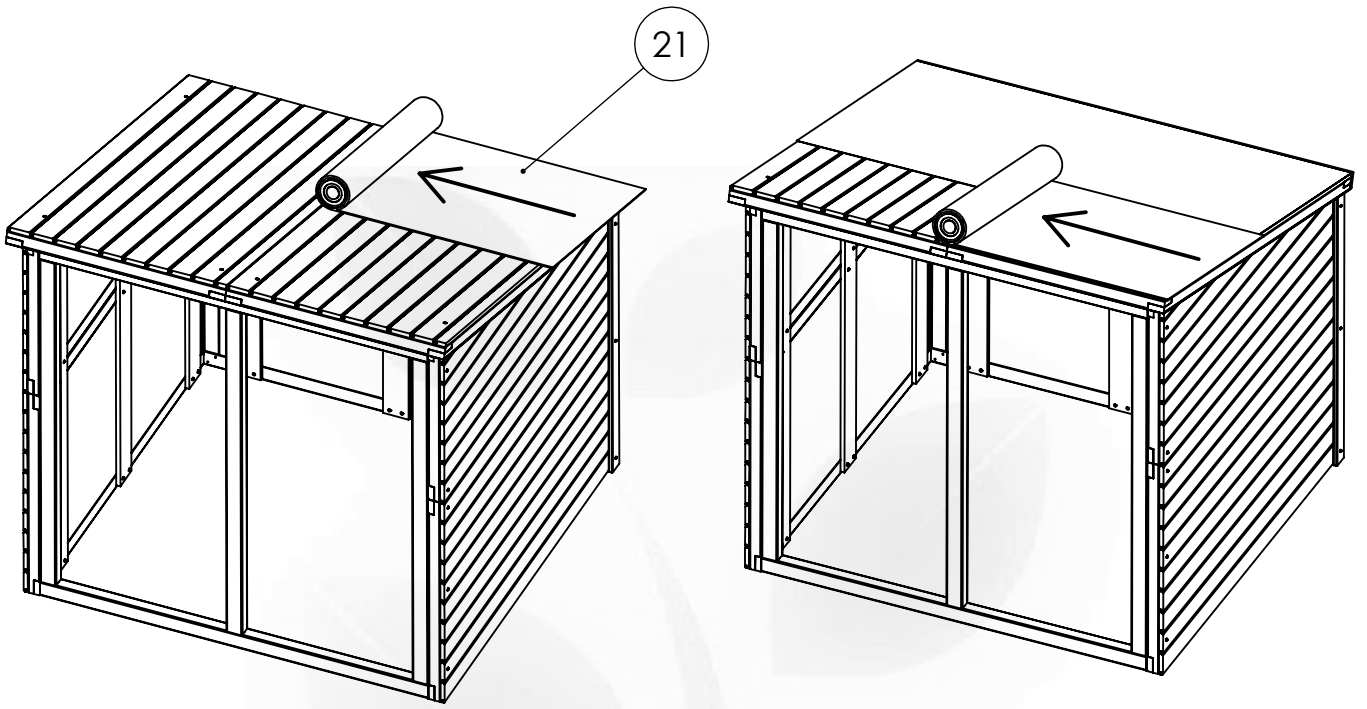
A		3.5x35	x4
---	---	--------	----




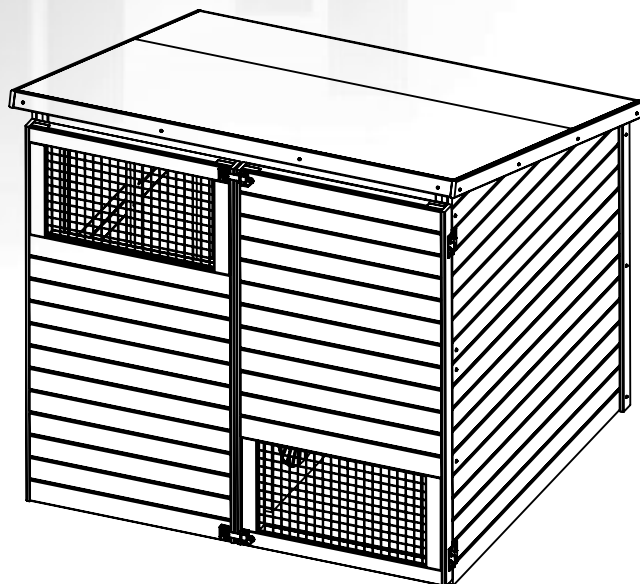
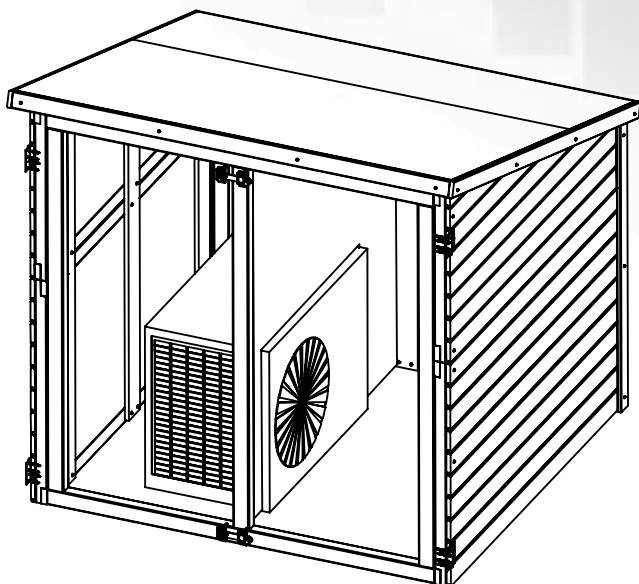
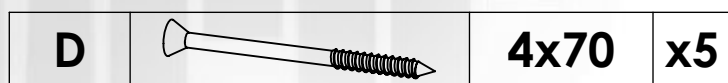
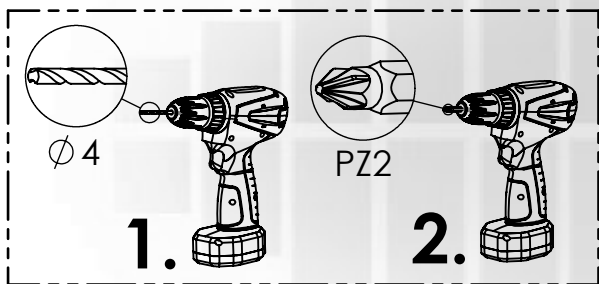
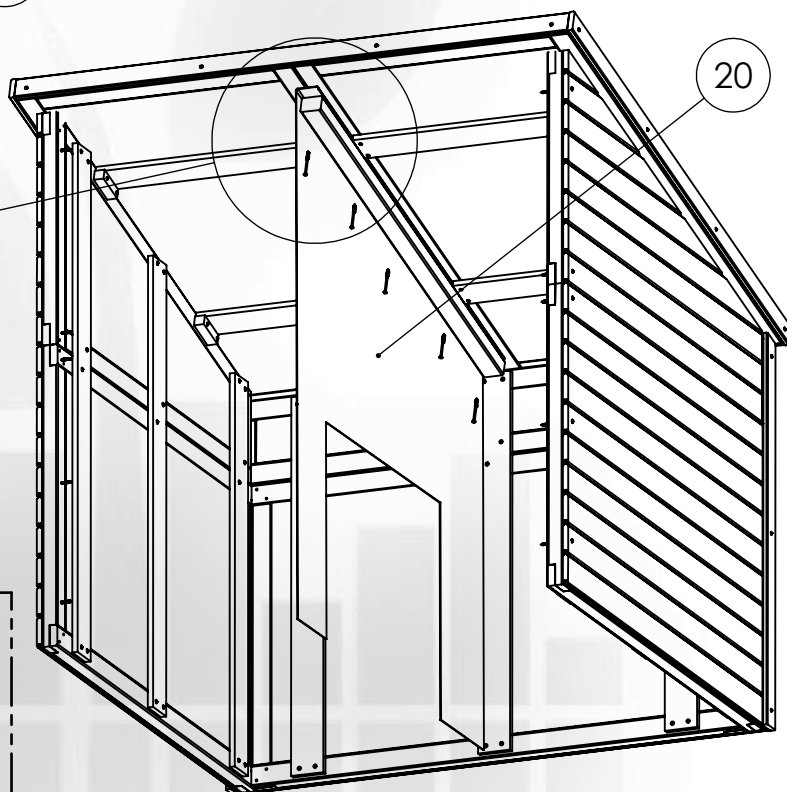
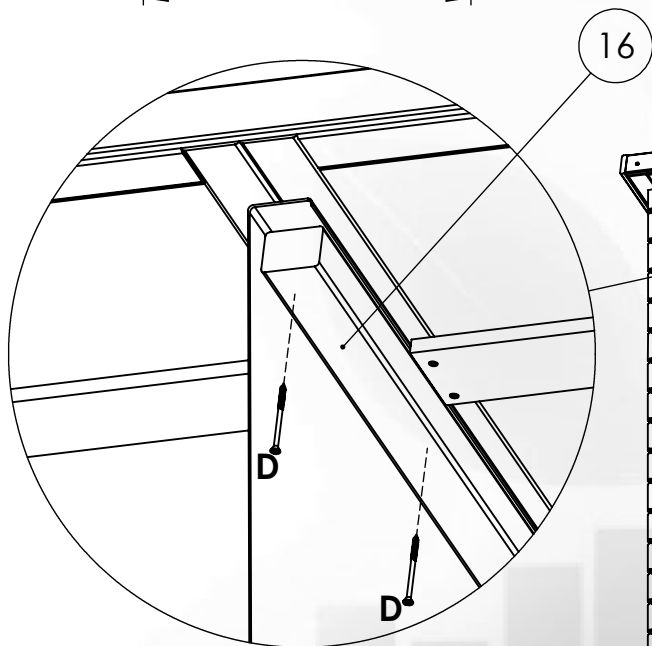
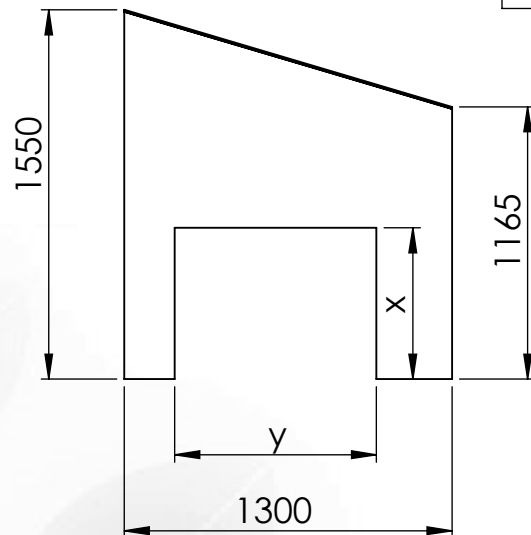
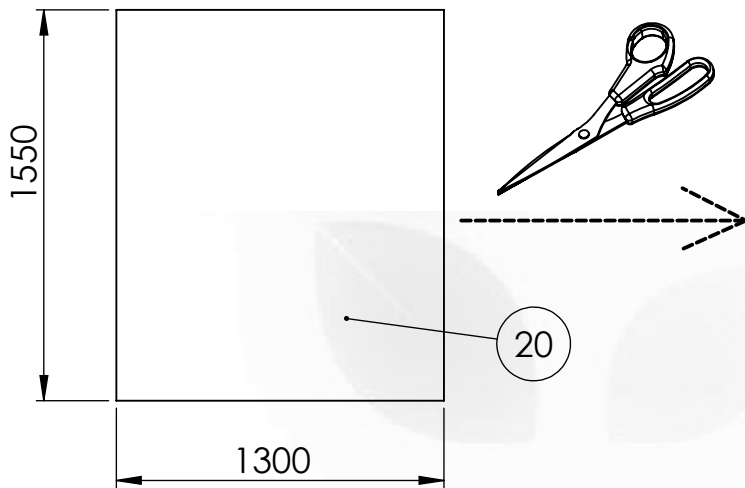
A		3.5x35	x8
C		3.5x50	x8

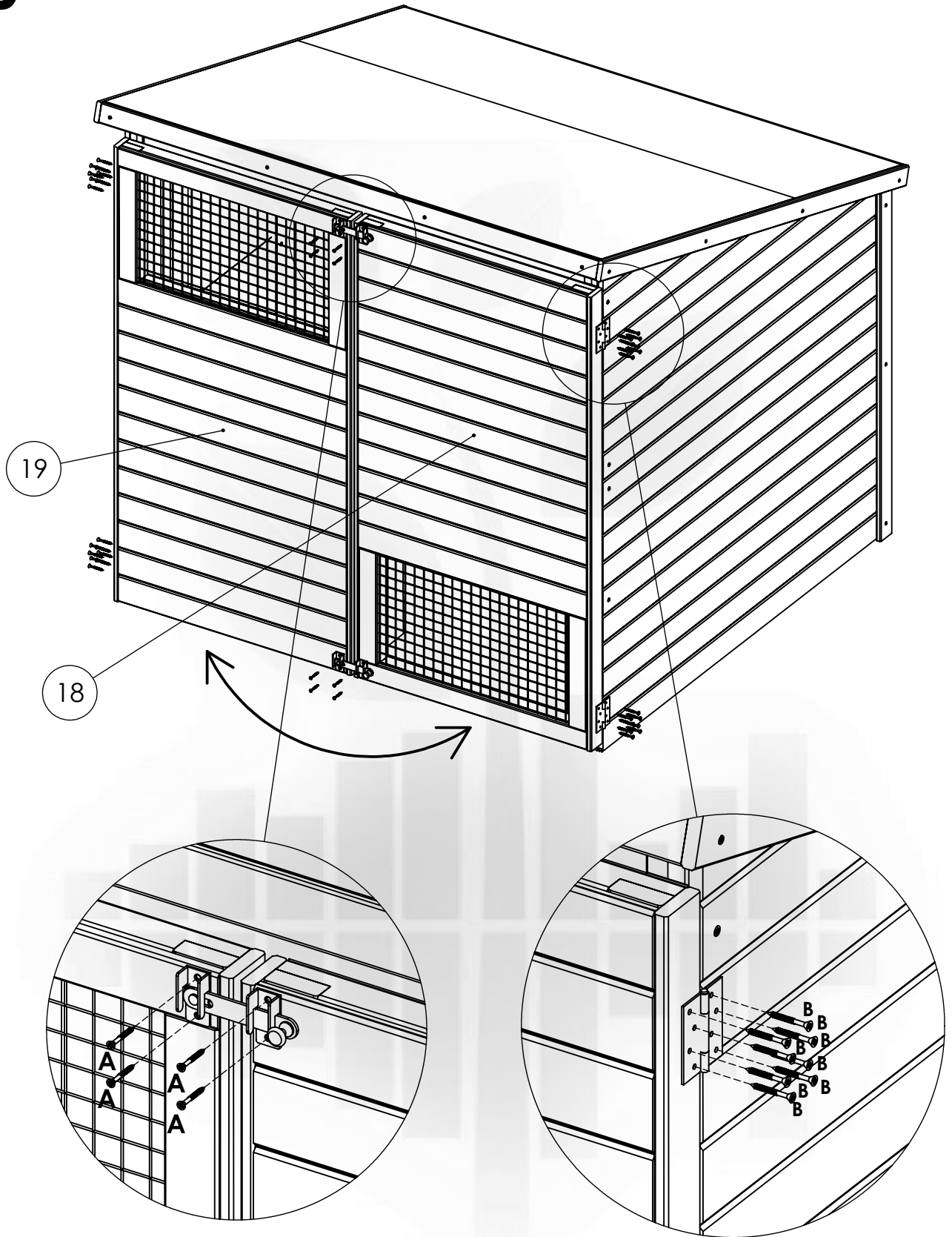




A		3.5x35	x6
----------	--	---------------	-----------



A		3.5x35	x16
----------	---	---------------	------------





A		3.5x35	x8
B		4x40	x32